



LP1

BOARD WASHER

WITH ROTARY BRUSH SYSTEM



PRESENTATION

All four sides of the boards are washed in a single operation. Two rotating brushes scrub the faces while static brushes use the forward movement of the board to clean the sides. In option it is possible to have a stainless steel tank on wheels or a rotating side brush system.

When running, the washer is connected to the water supply system of the building. A submersible pump allows consumption to be limited by reusing the cold water before eliminating it.

TECHNICAL INFORMATION

The values shown below are indicative only and can be adapted to the customers specific needs.

FEATURES

Empty weight (approx.)	Plastic tank 225 kg Stainless steel tank 270 kg
Working rate (approx.)	
- with boards 900 à 1'400mm	400 boards / h
- with boards 2'000 à 2'400mm	200 boards / h

ELECTRICITY

Rated voltage (tolerance ± 5%)	3x400 Vac 3LNPE
Rated current	5.2 A
Assigned frequency	50 Hz
Maximum power	1.5 kW
Average consumption (approx.)	0.2 kWh
Building residual current circuit breaker FI (DDR)	30 mA, type B, HI
Upstream overload cut-off	10 A/C

WATER

Closed circuit pump flow	2'400 l / h
Temperature max	35°C
Rinse water circuit	
- Quick coupling connection	type GEKA
- Pressure	5 - 6 bars
- Water flow	12 litres / min

OPERATIONAL FEATURES

Number of operators	2 (1)
---------------------	-------

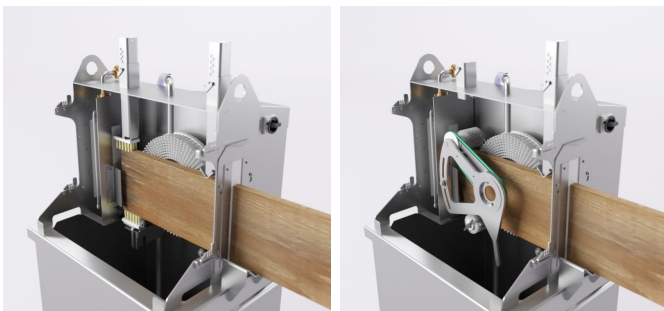
STANDARD EQUIPMENT

- Rotating nylon brushes
- Three-phase plug type 15 or Euro (export: without plug)
- 10 m power cable

OPTIONS

- Stainless steel tank on wheels
- Rotating side brushes to brush the side of the boards
- Elbow drainage pipe, under the stainless steel tank

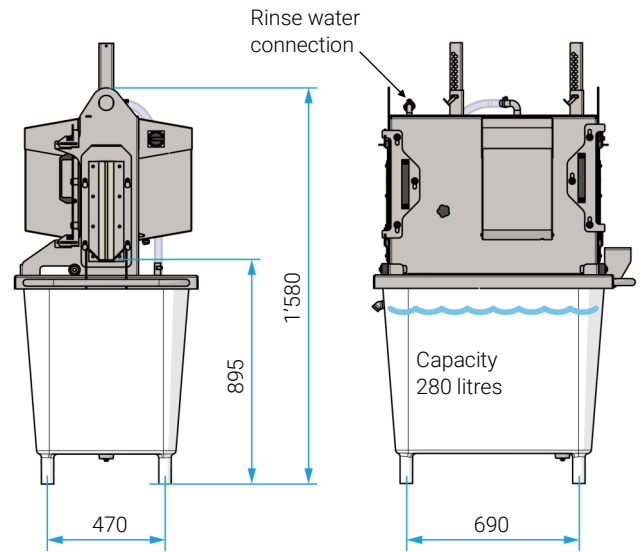
SIDE BRUSHES : FIXED / ROTATING



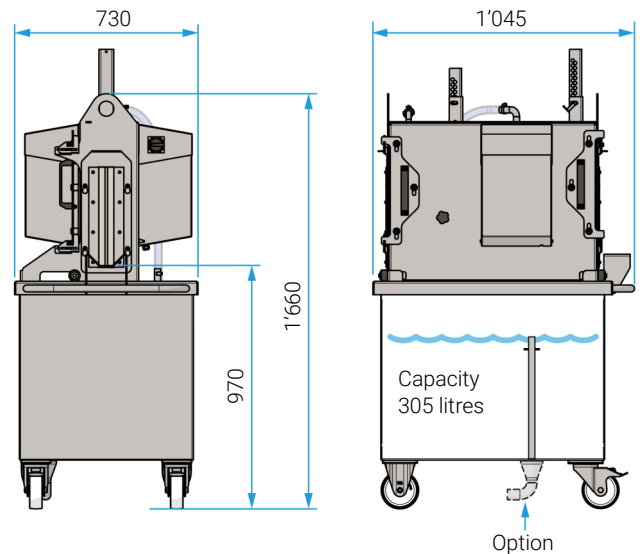
DIMENSIONS

Measures in mm

STANDARD VERSION WITH FIXED PLASTIC TANK



OPTION WITH STAINLESS STEEL TANK ON WHEELS



BOARDS

