



# FR322 / 332

## HOT AIR SHRINK TUNNEL

NARROW BODY / WIDE-BODY WITH THREE HEATING ZONES,  
ENHANCED VAULT



## PRESENTATION

The narrow-body FR322 and wide-body FR332 shrink tunnel with three heating zones is suited to all types of barrier and non-barrier shrink films. It has enhanced vault and cover.

Used together with the new control system on the ES101 packager, the temperature settings in the two heating zones and the conveyor speed are controlled remotely.

Memorised ES101 product recipe settings result in significant time savings when switching between production runs.

The large number of available options allow the standard model to be adapted to the specific characteristics of your production run.



## CONVEYOR

Composed of silicone coated rotating rollers

Ensures uniform heat distribution on the product and therefore an optimal retraction

Adjustable speed via potentiometer or by the horizontal wrapper upstream

Configuration available in left-to-right or right-to-left



## SHRINK ZONE

The FR322/332 differentiate himself from the rest of the range with his enhanced vault allowing to pass larger products.

Many air flow adjustments to optimize product presentation

Three heating stations with independent settings

Compatible with barrier & non-barrier shrink film

Several types of vaults :

- Type «T» vaults especially suitable for products in trays
- Type «F» vaults (see opposite) for varied heights of products such as cheese in portions or multipacks



## EASE OF USE

Simple and accessible control panel

PID temperature controllers allow a clear visualization and precise temperature control

Temperatures can be manually set on controllers or directly from ES101 wrapper touch screen



## CONSTRUCTION

Two pairs of fans placed at the entrance and exit of the tunnel form an air curtain preventing the hot air to diffuse into the production environment

Robust, high-quality frame, with heat insulation, stainless steel throughout

Adjustable frame height to provide the correct conveyor operating height

Simple and robust design to minimize maintenance and reduce costs

## EXAMPLES OF PACKED PRODUCTS



## STANDARD EQUIPMENT

Set of vaults according to need:

- Type «F» vaults for varied heights of products such as cheese in portions or multipacks
- Type «T» vaults especially suitable for products in trays

## OPTIONS

- Front opening
- Speed increase kit
- Motorized kit IN / OUT kit, recommended for products less than 80 mm length
- Automatic conveyor chain lubrication
- System to communicate with JNJ packager
- Motorised ventilation
- Conveyor chain lock
- Additional set of vault of type F or T heating station

## TECHNICAL INFORMATION

The values shown below are indicative only and can be adapted to the customers specific needs. <sup>1</sup>FR322 / <sup>2</sup>FR332

### WEIGHT

Approximate mass 370 kg <sup>1</sup> / 530 kg <sup>2</sup>

### ELECTRICITY

Rated voltage (tolerance ± 5%) 3x400 Vac 3LNPE  
 Rated current 32 A  
 Assigned frequency 50 Hz  
 Maximum power 18 kW  
 Average consumption (approx.) 10 kWh  
 Building residual current circuit breaker FI (DDR) 30 mA, type B, HI  
 Upstream overload cut-off 40 A/C

### HEATINGS

Shrink temperature Up to 220°C  
 Temperature rise time 10 - 20 minutes  
 Heating zones 3 zones with independent settings

### OPERATIONAL FEATURES

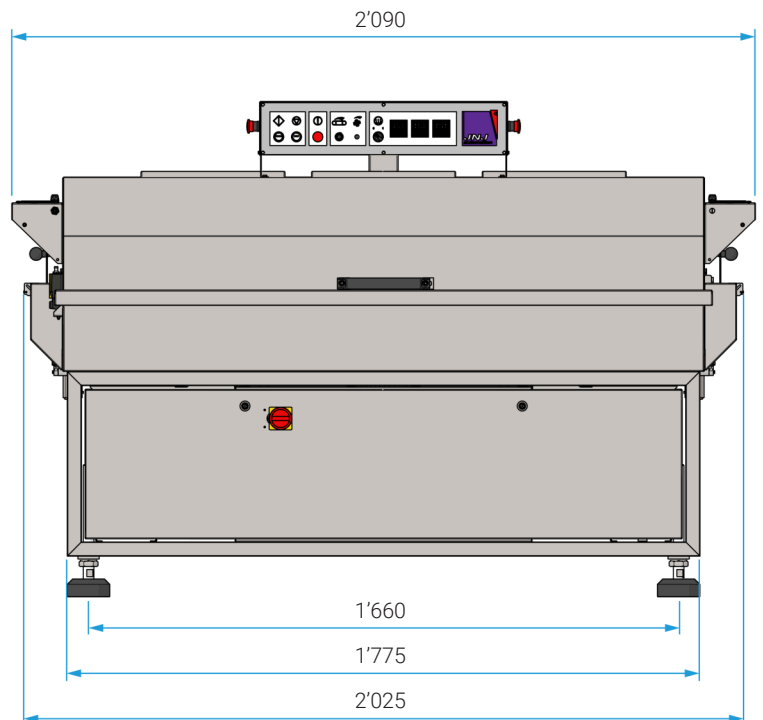
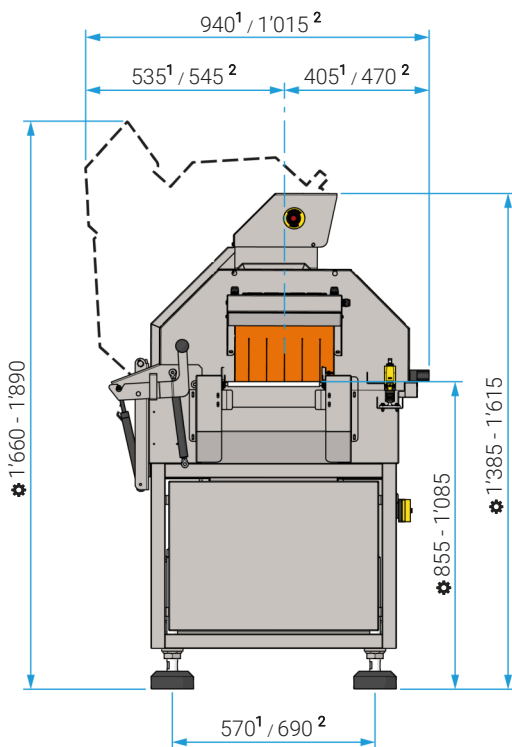
Number of operators Supervisor only  
 Noise level 72 dbA ± 0.1

## DIMENSIONS

Measures in mm

<sup>1</sup>FR322 / <sup>2</sup>FR332

⊛ = +/- Height adjustment (230mm)



## CONVEYOR

Operating speed

60 products / min

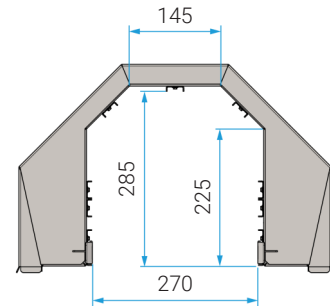
Standard speeds and options: see table below

Fréquence ↓	Vitesse convoyeur (m/min)		
	Standard	Fast conveyor upgrade kit	Very fast conveyor upgrade kit
20 Hz	7	10	17
50 Hz	18	25	43
80 Hz	28	40	68

## PASSAGE UNDER VAULTS

Variations of +/- 5mm possible

> FR322



> FR332

